

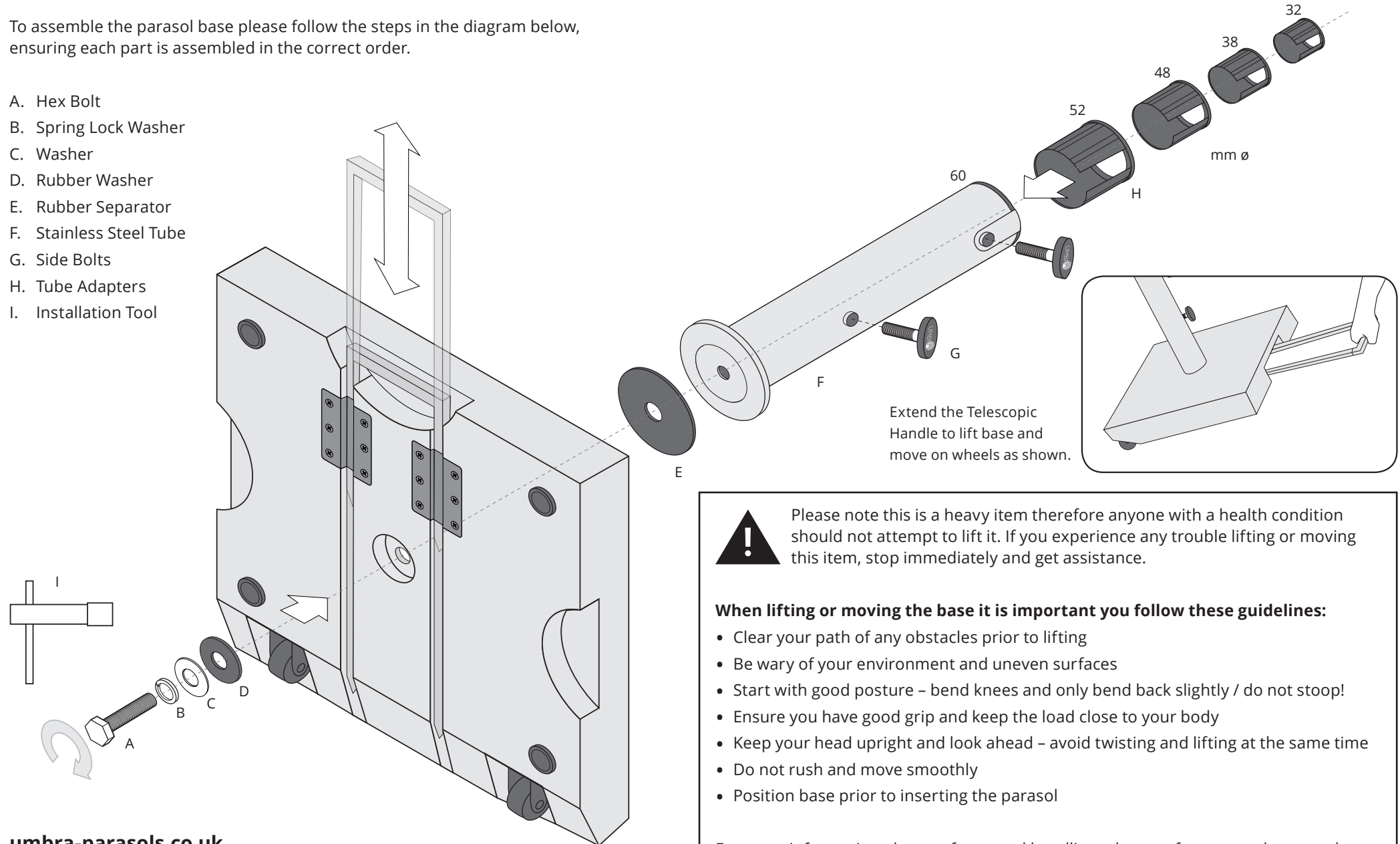
Assembly Guide

PB070R 70kg Granite Parasol Base with Stainless Steel Tube, Telescopic Handle & Wheels



To assemble the parasol base please follow the steps in the diagram below, ensuring each part is assembled in the correct order.

- A. Hex Bolt
- B. Spring Lock Washer
- C. Washer
- D. Rubber Washer
- E. Rubber Separator
- F. Stainless Steel Tube
- G. Side Bolts
- H. Tube Adapters
- I. Installation Tool



Please note this is a heavy item therefore anyone with a health condition should not attempt to lift it. If you experience any trouble lifting or moving this item, stop immediately and get assistance.

When lifting or moving the base it is important you follow these guidelines:

- Clear your path of any obstacles prior to lifting
- Be wary of your environment and uneven surfaces
- Start with good posture – bend knees and only bend back slightly / do not stoop!
- Ensure you have good grip and keep the load close to your body
- Keep your head upright and look ahead – avoid twisting and lifting at the same time
- Do not rush and move smoothly
- Position base prior to inserting the parasol

For more information about safe manual handling, please refer to www.hse.gov.uk